



MA2000

Repair Guide

- A. How To Remove The Center From Wooden Cabinet
- B. How To Replace The UV-C Bulb
- C. How To Replace The Power Switch
- D. How To Replace The Power Cord
- E. How To Replace The Ballast
- F. How To Replace The Fan
- G. How To Replace The UV-C Bulb Sockets

**PLEASE CALL CUSTOMER SERVICE
FOR ASSISTANCE:
1-877-467-8643**

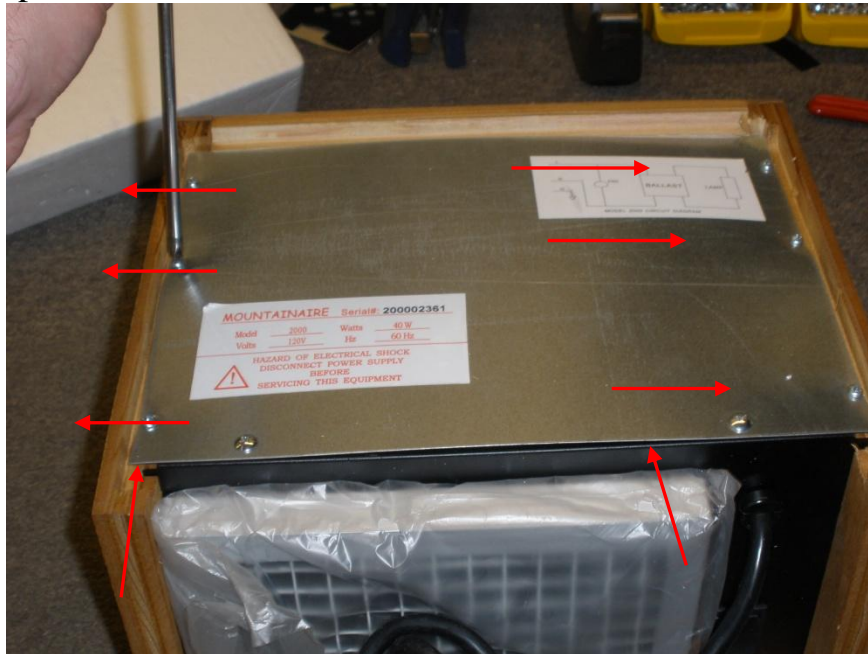
A

How To Remove The Center From The Wooden Cabinet

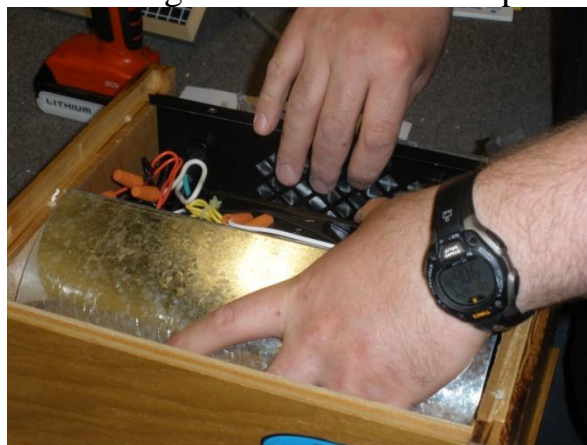
!!Unplug The Purifier Before Servicing!!

(Remember That The Edges Of The Metal Are Sharp. Use Caution)

To remove the center unit from the wood cabinet there are 8 screws along the bottom that hold the bottom panel in place.



Place one hand on the front of the center, squeeze slightly, and place the other hand on the back panel of the center and lift it out of the grooves that hold it in place.



B

How To Replace The UV-C Bulb

!!Unplug The Purifier Before Servicing!!

(Remember That The Edges Of The Metal Are Sharp. Use Caution)

Remove the electrical tape that is securing the bulb in place. Grab both ceramic ends of the UV-C bulb and twist clockwise to pull out.

Wipe the new bulb with rubbing alcohol and a clean cloth.

NOTE: Do not touch the glass. The oils from your hands will cause the bulb to burn out prematurely. Do not put electrical tape back on ceramic ends.

Put new bulb into place. Test unit before placing back into cabinet.



*****If bulb has poor connection, it may be necessary to move one of the bulb sockets slightly inward. This will allow better connection to the bulb**

Use a Phillips screwdriver and needle nose pliers to take off the screw that holds the socket in place.



Drill a new hole slightly inward and screw socket back in place.

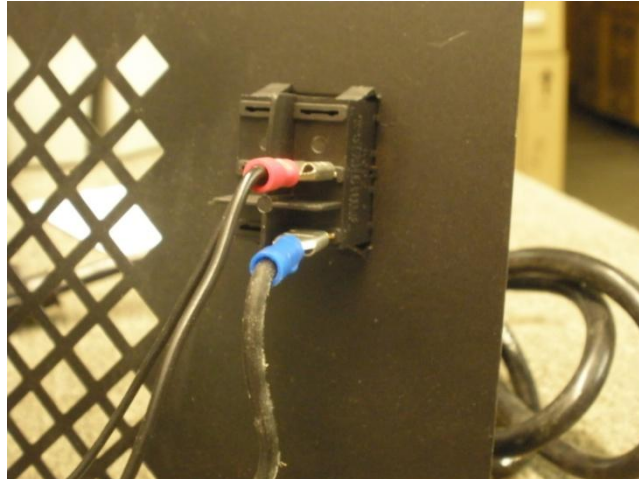
C

How To Replace The Power Switch

!!Unplug The Purifier Before Servicing!!

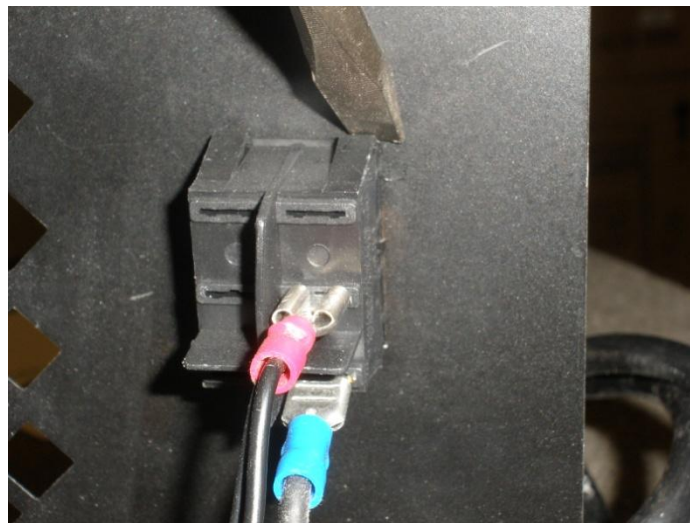
(Remember That The Edges Of The Metal Are Sharp. Use Caution)

Make sure you note the order of wires to replace the new switch. Unhook the 2 wire connections from old power switch.



Use a flathead screwdriver and push down on the 4 tabs that hold the switch in place. There are 2 on the top and 2 on the bottom. Push the switch out.

Replace with new switch making sure wire connections are in the correct order.



D

How To Replace The Power Cord

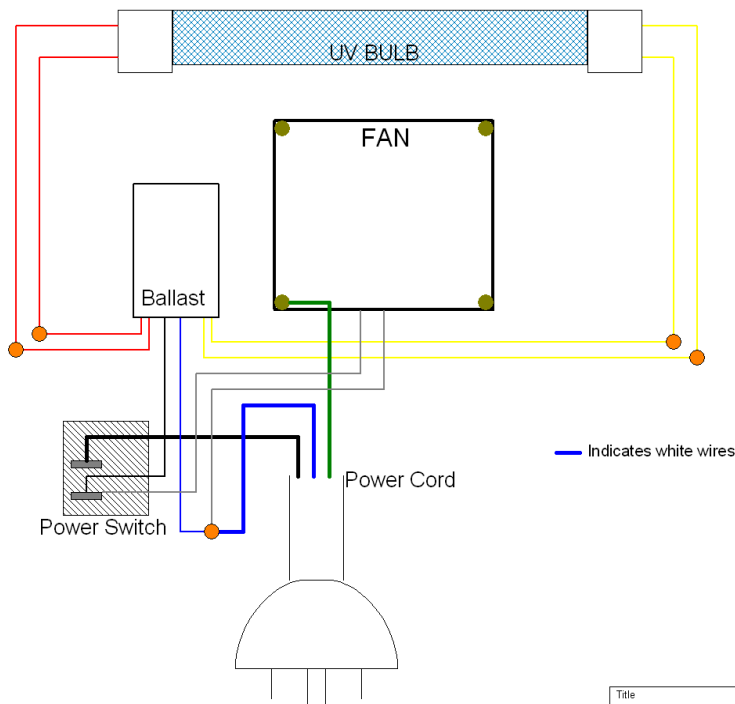
!!Unplug The Purifier Before Servicing!!

(Remember That The Edges Of The Metal Are Sharp. Use Caution)

Remove the power cord retaining grommet using a pair of pliers. Squeeze the cord strain relief and pull out from the back.



Disconnect the green ground wire. Install the new power cord and directly attach the two wires to the correct location. Make sure you reattach the ground wire to the fan bolt.



Title		
Author		
File and Settings\Administrator\Desktop\MA2000.dsn		Document
Revision 1.0	Date	Sheets 1 of 1

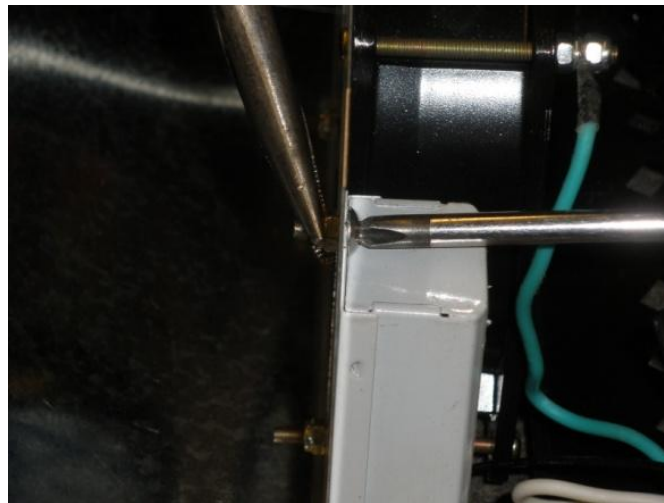
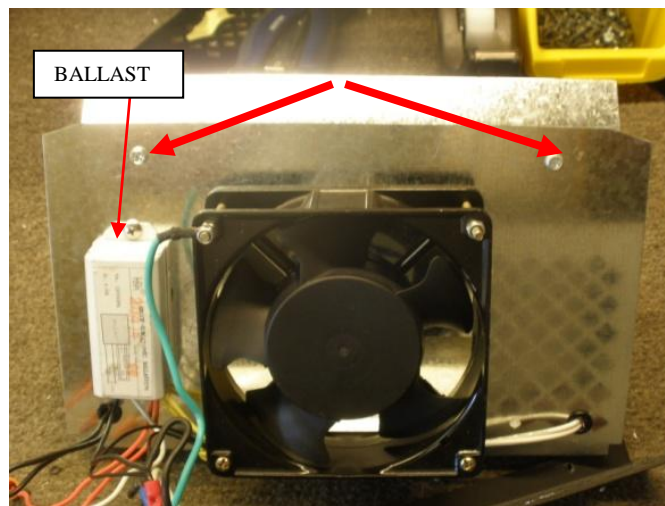
E

How To Replace The Ballast

!!Unplug The Purifier Before Servicing!!

(Remember That The Edges Of The Metal Are Sharp. Use Caution)

For easier access to the ballast, remove the 2 screws that hold the front deflector shield in place. The ballast is a white box located next to the fan. Use a Phillips screwdriver and needle nose pliers to take off the 2 screws that hold the ballast in place. Unhook the wire connections from old ballast making note of wire order. Replace with new ballast and hook wire connections back into place.



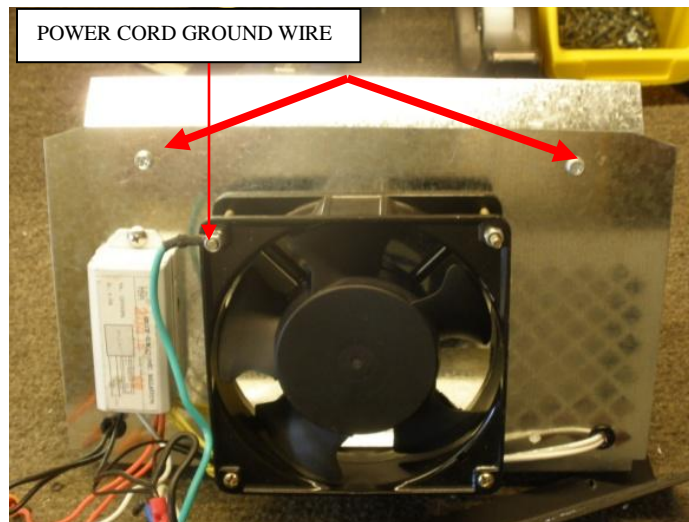
F

How To Replace The Fan

!!Unplug The Purifier Before Servicing!!

(Remember That The Edges Of The Metal Are Sharp. Use Caution)

For easier access to the fan, remove the 2 screws that hold the front deflector shield in place. Use a Phillips screwdriver and needle nose pliers to take off the 4 bolts that hold the fan in place. **NOTE: The ground wire from the power cord is attached to one of the fan bolts**



G

How To Replace The UV-C Bulb Sockets

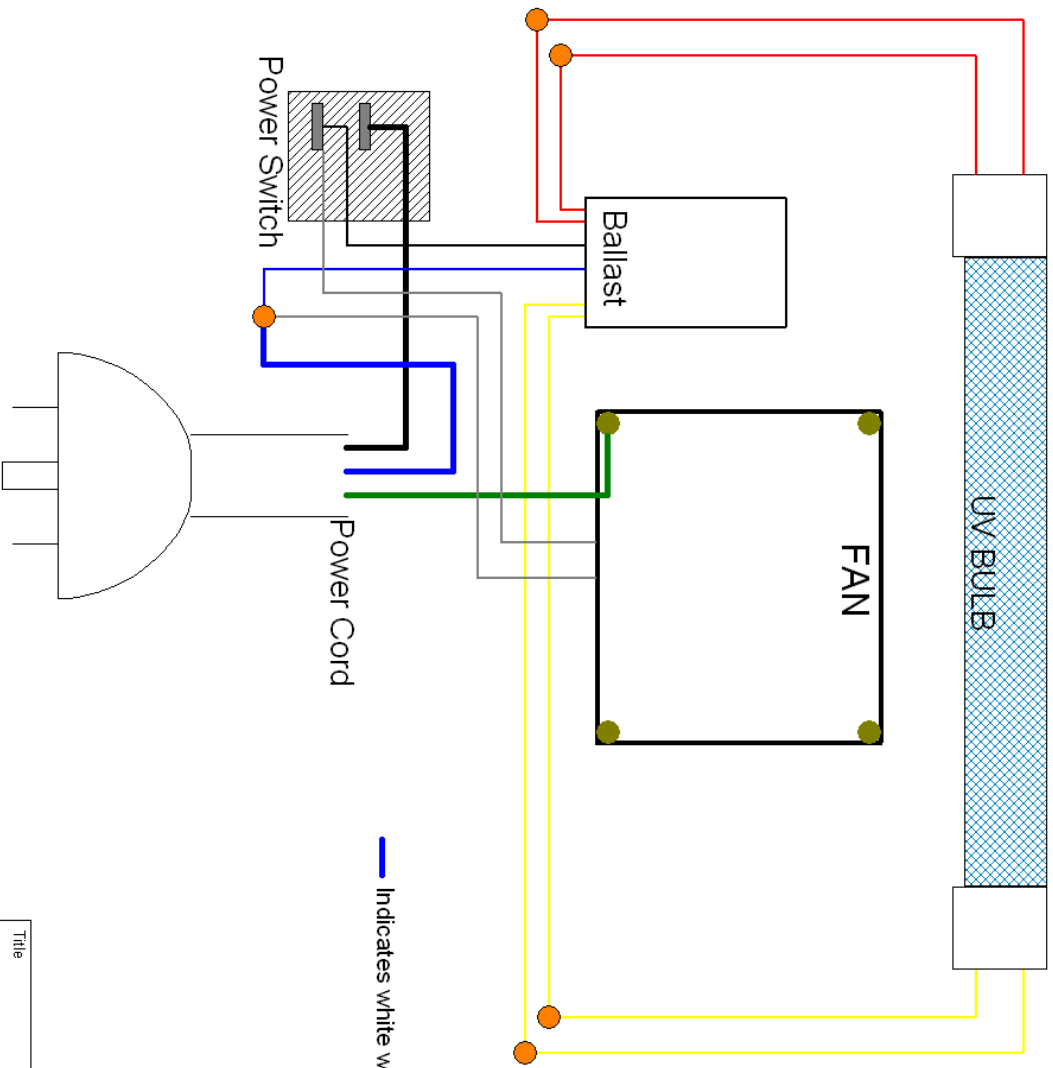
!!Unplug The Purifier Before Servicing!!

(Remember That The Edges Of The Metal Are Sharp. Use Caution)

Grab both ceramic ends of the UV-C bulb and twist clockwise to pull out.

Use a Phillips screwdriver and needle nose pliers to take off the screw that holds the socket in place. Replace with new socket.





— Indicates white wires

Title		
Author		
File and Settings	Administrator\Desktop\MA2000.dsm	Document
Revision	Date	Sheets
1.0		1 of 1